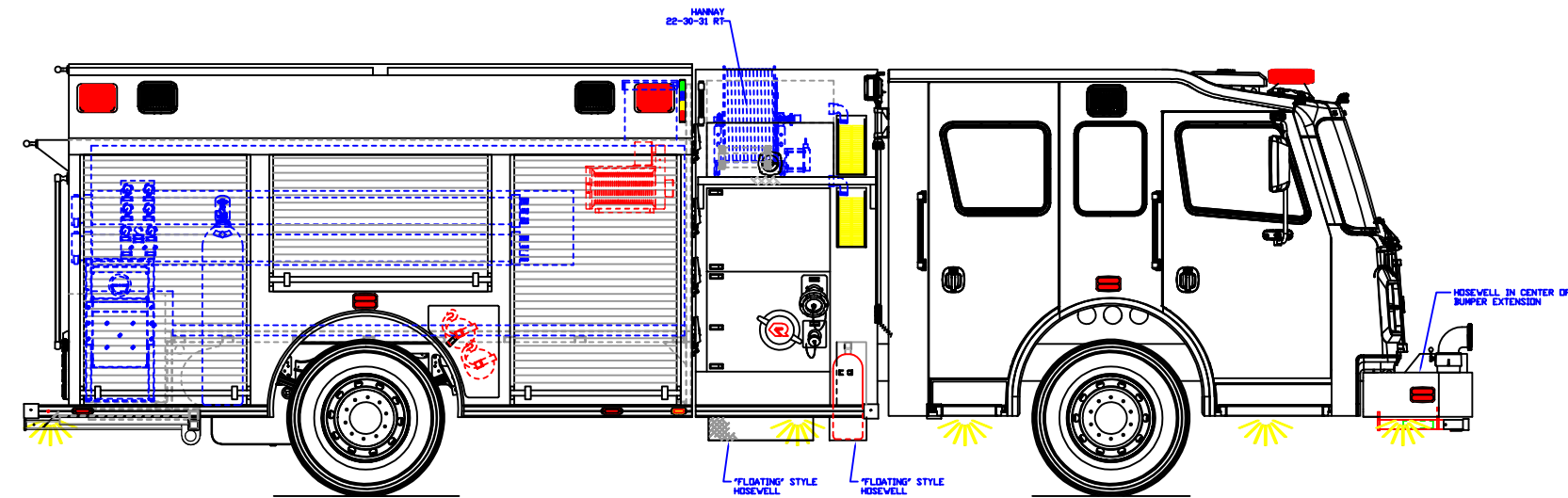
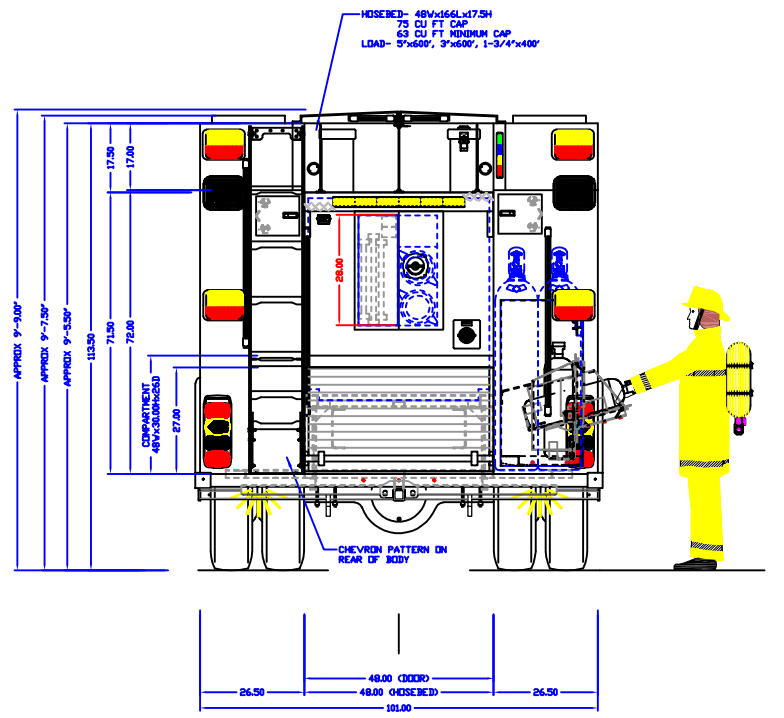
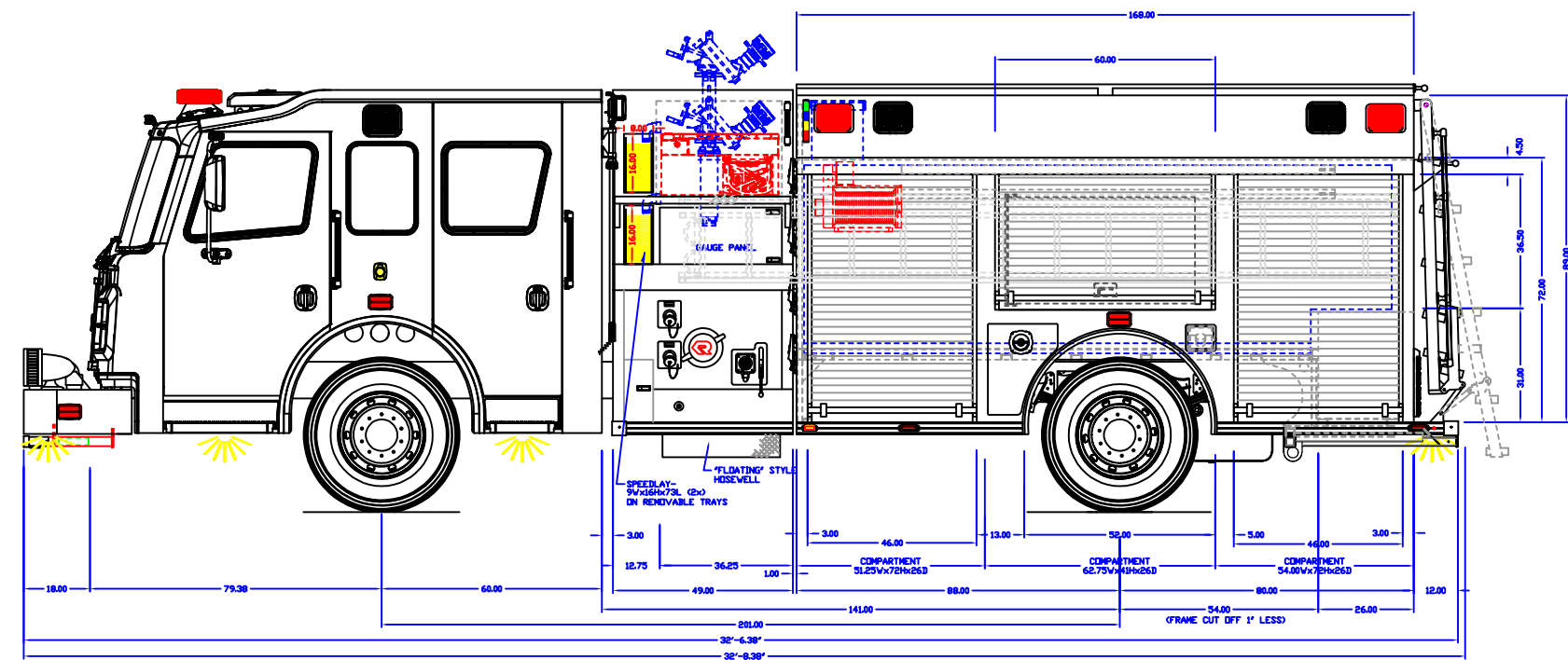
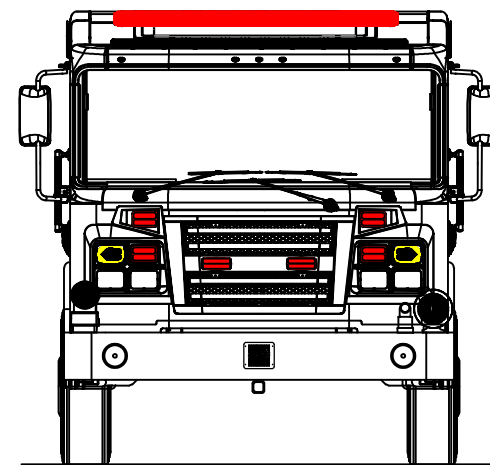
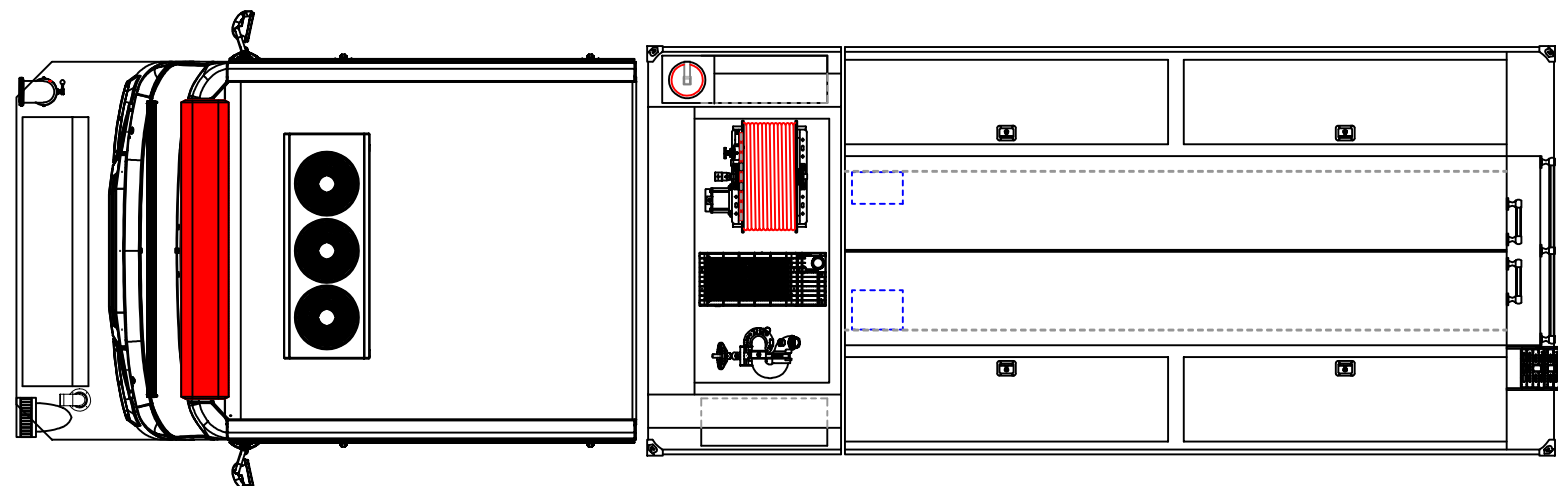


- NOTES:
1. OVERALL HEIGHT IS IN LOADED CONDITION. UNLOADED HEIGHTS MAY BE 4" ABOVE HEIGHTS SHOWN.
  2. DO NOT SCALE DRAWING.
  3. ALL DIMENSIONS ARE APPROXIMATE AND SUBJECT TO ENGINEERING CHANGES.
  4. DRAWING MAY OR MAY NOT SHOW ALL ITEMS AS DESCRIBED IN THE WRITTEN DETAIL SPECIFICATIONS.
  5. INCLUSION OF AN ITEM ON THE DRAWING DOES NOT CONSTITUTE INCLUSION OF THAT ITEM WITH THE FINAL DELIVERED UNIT.
  6. THE EFFECTIVE DOOR OPENINGS WILL BE APPROX. 2" LESS THAN THE NOTED COMPARTMENT OPENING FOR ROLL UP DOORS AND UP TO APPROX. 4" LESS FOR HINGED DOORS



APPROVED BY:

CHASSIS: WARRIOR 6008  
 PUMP: WATEROUS 1500 GPM  
 TANK: POLY/1000/20(FOAM)  
 PANEL MATL: LINE X  
 COMP INTERIOR: SWIRL FINISH

REVISED: VLM DATE: 12-21-22  
 REVISED: VLM DATE: 08-18-22  
 REVISED: VLM DATE: 05-17-22  
 DRAWN: VLM DATE: 02-10-22

PROPRIETARY AND CONFIDENTIAL THE INFORMATION CONTAINED IN THIS DRAWING IS THE SOLE PROPERTY OF ROSENBAUER. ANY REPRODUCTION IN PART OR AS A WHOLE WITHOUT THE WRITTEN PERMISSION OF ROSENBAUER IS PROHIBITED.

MAXIMUM HEIGHT	NONE
MAXIMUM LENGTH	33'9"
BODY WIDTH	101"

DREWRY V.F.D.,  
 NC



ROSENBAUER FX 3/16"  
 DRAWING NUMBER: drewry, nc  
 REV: -